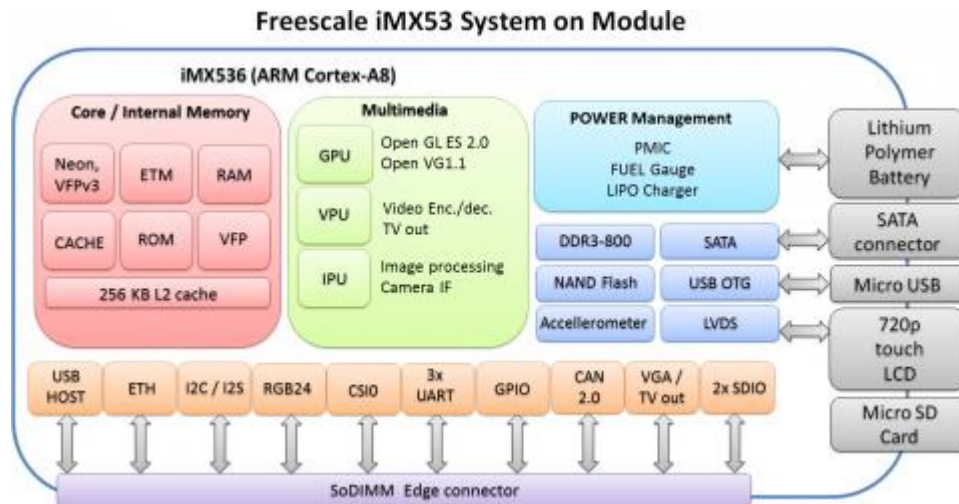


SMX 536

**Flexible solution for integration of
Freescale® i.MX536 ARM® Cortex™-A8 processor
in your design.**

Private Enterprise “EDALITY”

SMX536 embedded module is based on the Freescale i.MX536 800 MHz ARM Cortex-A8 CPU processor with AEC-Q100 qualification:

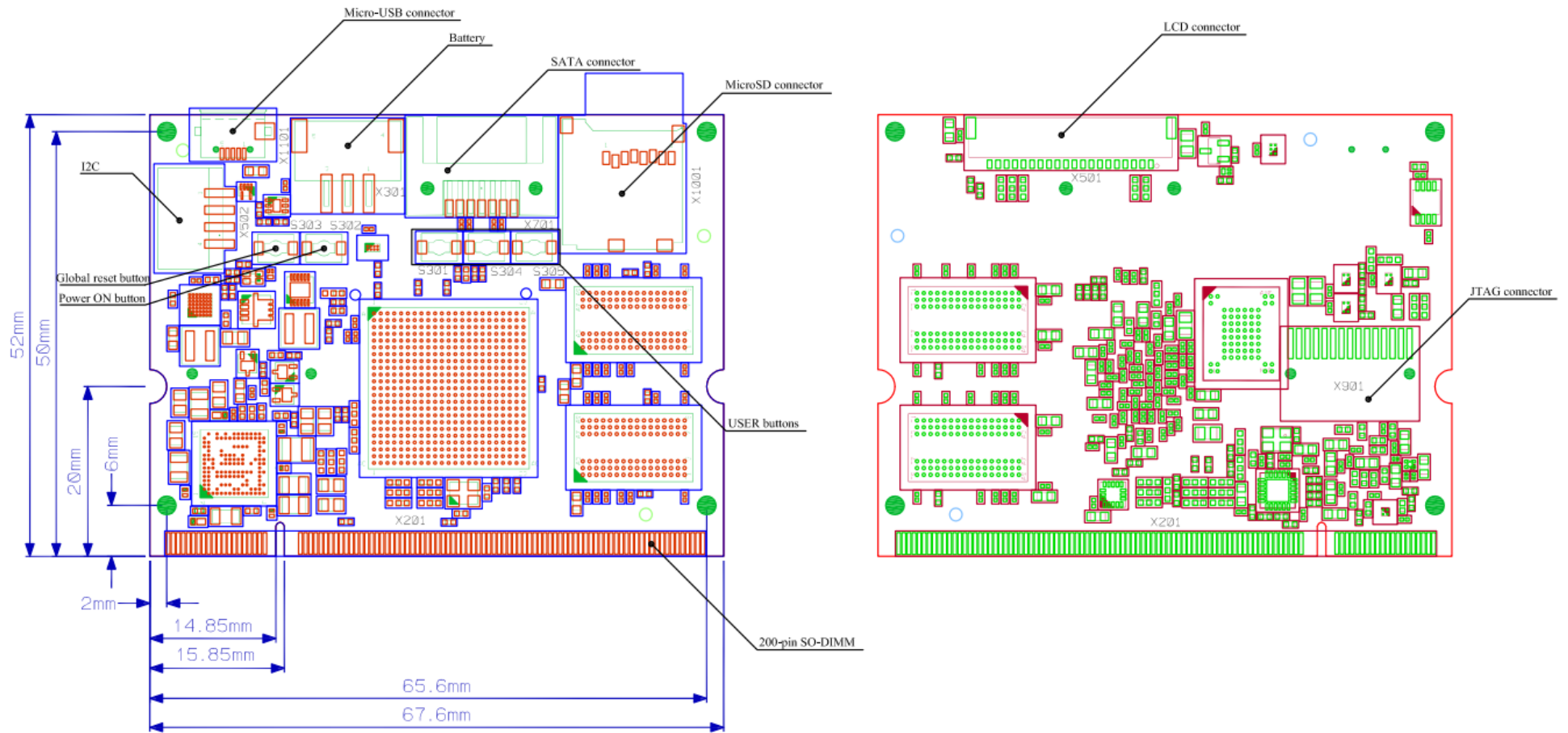


The main interfaces

- ◆ Ethernet (10/100Mbps);
- ◆ SATA 2.6 (1.5Gbit);
- ◆ LCD controller (до 1600 x 1200, 1920x1080, 24bpp);
- ◆ USB 2.0 (x 2);
- ◆ UART (x 3);
- ◆ SDIO (x 2);
- ◆ CAN 2.0B;
- ◆ SSI/AC97/I2S;
- ◆ I2C;
- ◆ CSPI;
- ◆ JTAG;
- ◆ Keyboard controller;
- ◆ Parallel interface for connecting cameras.

Private Enterprise "EDALITY"

Mechanical parameters

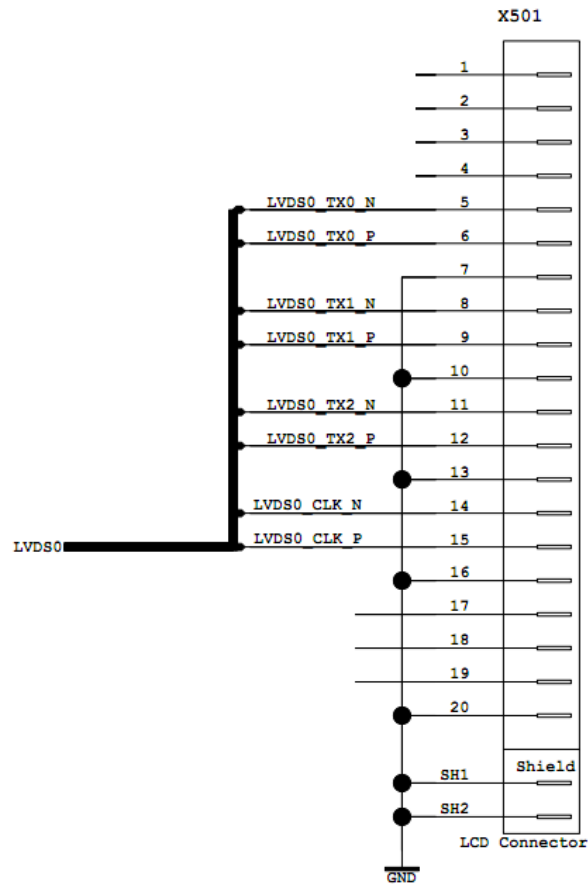


Private Enterprise "EDALITY"

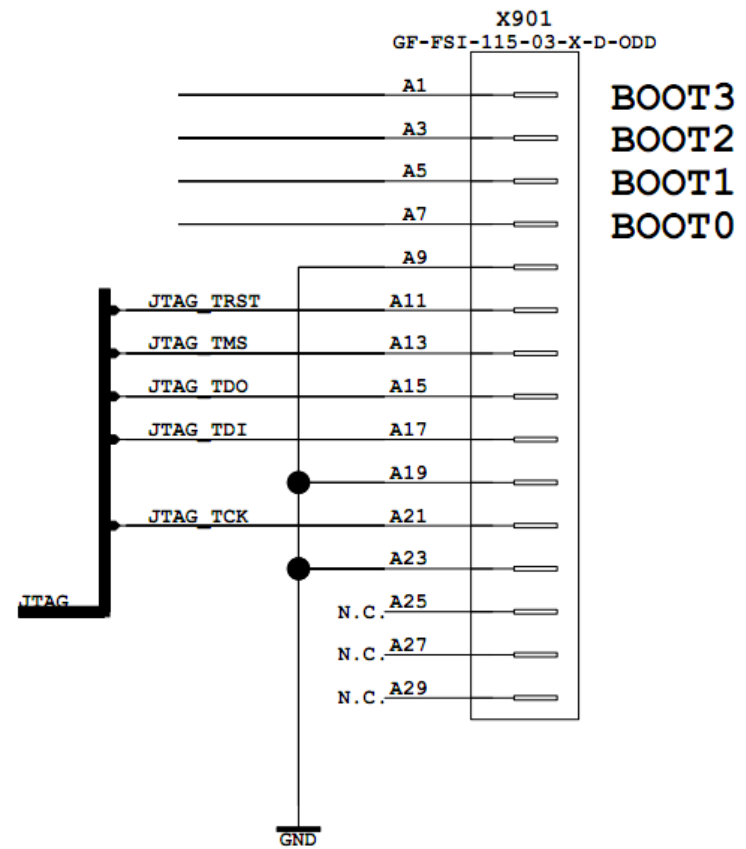
Pin-out map So-DIMM 200 pin (X201)

1-4	Power input 5V_MAIN
5-7	Power output 1V8
9-12	Power output 3v3
13	VBAT
8, 14, 16, 17	CONTROL, PMIC
19-21, 23-25	Ethernet
22	A3V3_FEC
27-31	USB HOST
33-38	USB OTG EXT
40-49	PWM, 1-WIRE, CSPI
51-57	SD3
59-70	UART 1, 2, 3
76, 81	CAN
83-87	Audio 1, 2
95-101	SD 2
103-110, 112-115	CMOS Interface
117-128, 130-141, 143-146	DISPLAY RGB
148-153, 158-159, 161-162, 165-167, 173-175	GPIO
168-170, 176-177	TVE
181-182, 184-185, 187-188, 190-191, 193-194	LVDS
15, 72-72, 77-80, 89-93, 154-157, 163-164, 172, 178-179, 196-199	NC
18, 26, 32, 39, 50, 58, 71, 82, 88, 94, 102, 111, 116, 129, 142, 147, 160, 171, 180, 183, 186, 189, 192, 195, 200	GND

Connector LCD (X501) pin-out



Connector JTAG (X901) pin-out

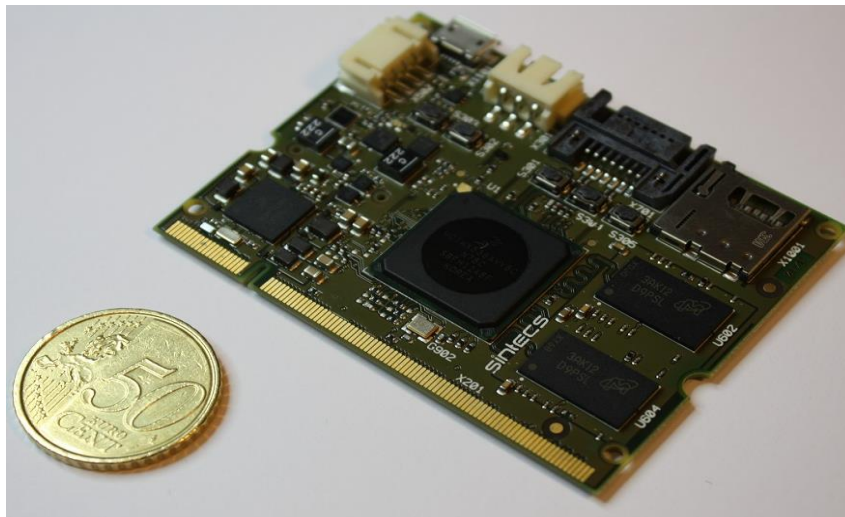


Private Enterprise "EDALITY"

Areas of possible application

- ◆ tablet PCs;
- ◆ e-books;
- ◆ medical devices;
- ◆ video conferencing system;
- ◆ portable media players;
- ◆ human machine interfaces;

and more



Operation data

- ◆ Input voltage 4-10 V;
- ◆ Output voltage 3,3 V and 1,8 V;
- ◆ Consumption current at max load 1,2 A;
- ◆ Temperature Range -20°C..70°C;
- ◆ RoHS compliance yes;
- ◆ Software Linux (Yocto 1.3).